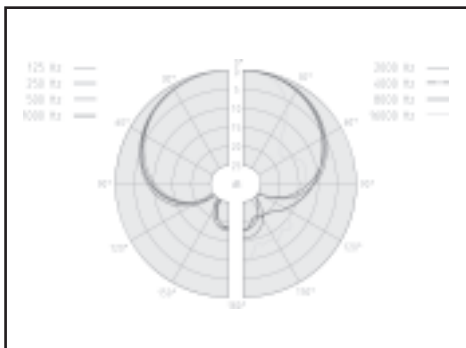
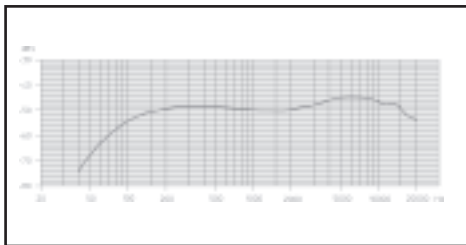


evolution



e 865 Professional Condenser Vocal Microphone

The E 865 represents the first condenser microphone in the acclaimed Evolution Series. A live performance, lead vocal microphone, the E 865 easily cuts through high on-stage levels by virtue of its detailed and natural 40 Hz–20 kHz reproduction and superb transient response. Its smooth super-cardioid polar pattern rejects feedback with low, off-axis coloration. The E 865 withstands sound pressure levels of up to 150 dB, and deftly suppresses pop noise. While it picks up the finest sonic nuances, the E 865 is at the same time rugged, benefiting from high-quality workmanship and a robust all-metal housing. The microphone ships with a pouch and mic clip.

Features—Benefits

- Metal construction—rugged and reliable
- Hum compensating coil—reduces electrical interference
- Silent on/off switch (e 865-S only)
- Neodymium ferrous magnet with boron—keeps mic stable regardless of climate
- Falcon ring—consistent sound over time

Technical Data

Transducer	Electret condenser
Frequency response	40–20,000 Hz
Pick-up pattern	Super-cardioid
Maximum SPL	150 dB
Sensitivity (free field, no load)	3 mV/Pa at 1 kHz, nominal
Nominal impedance at 1 kHz	200 Ω
Min. terminating impedance	1 k Ω
Power supply	12V–48V phantom powering
Weight (without cable)	approx. 11 oz.
Dimensions in inches	1.9 x 7.72

Supplied Accessories

- 1 protective pouch
- 1 MZQ 800 microphone clip

Optional Accessories

21' XLR microphone cable	MC21N
Grey foam windscreen	MZW 4032
Floor stand with boom arm	SEMS 3000

Architect's Specifications

The microphone shall be an electret condenser microphone operating in the frequency range of 40–20,000 Hz. It shall have a super-cardioid pick up pattern with 3 mV/Pa at 1 kHz, nominal sensitivity. The maximum SPL shall be 150 db, and the nominal impedance at 1 kHz shall be 200 Ω. The unit shall be powered by a 12–48V phantom power unit. The unit shall be 1.9 x 7.72 inches and weight approx. 11 oz. The unit shall be a Sennheiser e865 microphone.

e865 S
e865

Bedienungsanleitung
Instructions for use
Notice d'emploi
Istruzioni per l'uso
Instrucciones para el uso



evolution

Bedienungsanleitung.....	3
Instructions for use	11
Notice d'emploi	19
Istruzioni per l'uso.....	27
Instrucciones para el uso.....	35
Gebruiksaanwijzing.....	43

☉865 / ☉865 S

The ☉865 is a fully professional vocal microphone utilising the very best in condenser microphone technology to achieve new standards of quality and sound. An extended dynamic range and a super-smooth frequency response deliver an outstanding signal quality with excellent vocal projection and the lowest possible distortion. The extended high-frequency response combined with the super-cardioid pick-up pattern enables the ☉865 to handle the highest vocal levels without feedback.

The rugged metal construction protects the microphone in the most rigorous conditions.

Due to its phantom powering capability, the ☉865 is especially suitable for use with professional systems.

The ☉865 S variant features a silent ON/OFF switch.

Features

- Rugged metal body
- Extended dynamic response with pronounced presence and vocal “punch”
- Excellent feedback rejection
- Very good suppression of handling noise
- Very high sound pressure handling capability

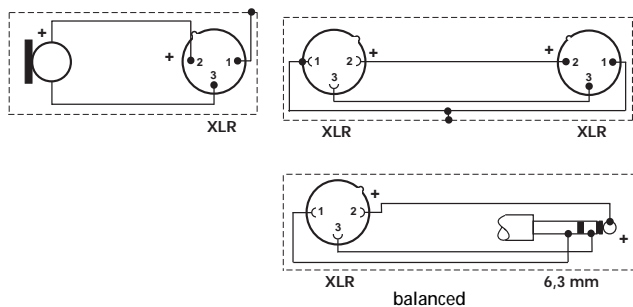
Delivery includes

- 865 microphone
- MZQ 800 microphone clamp
- Pouch
- Instructions for use
- Warranty Certificate

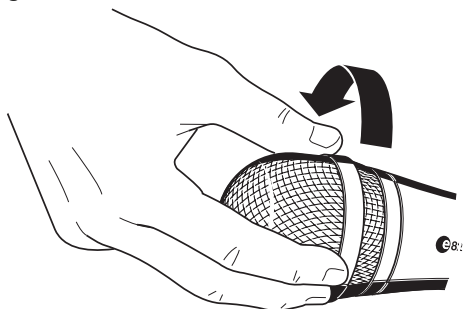
ON/OFF switch (856 S only)

Use the screw to lock the switch in the ON position. With the switch set in the ON position, gently turn the screw head 90° to lock the switch in position.


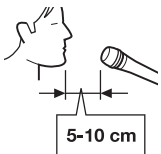
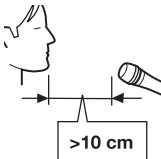
Pin assignment of XLR-3 connector



Removing the sound inlet basket



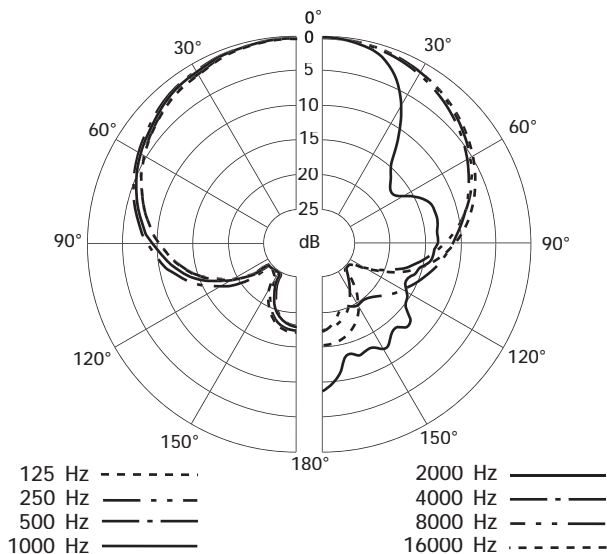
Positioning the microphone

Position	Resulting sound	Commentary
	High proximity effect (much bass/ fundamental) Powerful, direct sound	Very little crosstalk from other sound sources
	Less proximity effect (less bass/ fundamental) Some room ambience, natural, balanced sound	More crosstalk from other sound sources
	Very little proximity effect (little bass/ fundamental) More room ambience, indirect sound	Much crosstalk from other sound sources

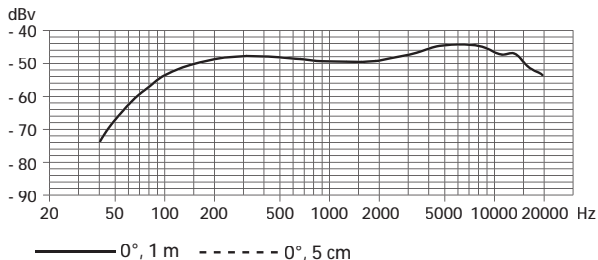
If sibilance or “popping” occurs, position the microphone not directly in front of the mouth but slightly to the side. In order to prevent feedback, position monitor loudspeakers so that they are located in the angle area of the highest cancellation of the microphone.

In order to prevent interference due to crosstalk between adjacent sound sources, try to position the microphone so that the interfering sound source is located in the angle area of the highest cancellation of the microphone (approx. 135° ; see polar diagram).

Polar diagram



Frequency response curve



Specifications

Transducer principle	pre-polarised condenser microphone
Frequency response	40.....20.000 Hz
Pick-up pattern	super-cardioid
Sensitivity (free field, no load at 1 kHz)	3 mV/Pa
Nominal impedance	200 Ω (balanced) 100 Ω (unbalanced)
Min. terminating impedance	1 k Ω
Max. sound pressure level at 1 kHz	150 dB/SPL
Phantom powering	12–52 V / 3 mA
Connector	XLR-3
Weight	311 g
Dimensions	Ø 47 x L 193 mm

Overview of microphone applications

Application	Variant										
	e602	e604	e606	e608	e614	e815	e825	e835	e840	e845	e865
Vocals						x	x	x	x	x	x
Choirs					x						
Studio, acoustic instruments					x						
Orchestra					x						
Brass / Saxophone	x	x		x							
Acoustic guitar					x						
Acoustic bass					x						
Guitar amplifiers			x								
Bass amplifiers	x										
Leslie	x	x	x								
Piano, grand piano					x						
Kick drums	x										
Snare drums		x	x	x							
Rack toms		x	x	x							
Floor toms	x	x	x								
Congas		x	x	x							
Cymbals					x						
Percussion		x	x	x	x						
Overheads					x						



Konformitätserklärung

Sennheiser electronic GmbH & Co. KG erklären, dass dieses Gerät die anwendbaren CE-Normen und Vorschriften erfüllt.

Approval

Sennheiser electronic GmbH & Co. KG declare that this device is in compliance with the applicable CE standards and regulations.

Certification

Sennheiser electronic GmbH & Co. KG déclarons que cet appareil est en conformité avec les normes CE.

Certificazione

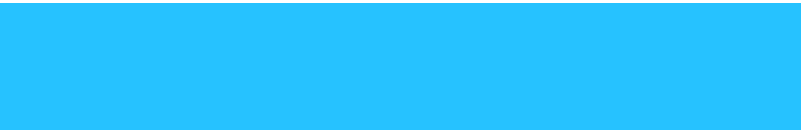
Sennheiser electronic GmbH & Co. KG dichiara che questo apparecchio risponde alle normative e alle prescrizioni CE applicabili.

Autorizacion

Sennheiser electronic GmbH & Co. KG declara que este aparato cumple las normas y directrices de la CE aplicables.

Vergunning

Sennheiser electronic GmbH & Co. KG verklaren, dat dit toestel voldoet aan de toepasselijke CE-normen en voorschriften.



Sennheiser electronic GmbH & Co. KG
30900 Wedemark, Germany
Phone +49 (5130) 600 0
Fax +49 (5130) 600 300
www.sennheiser.com

Printed in Germany

Publ. 06/05

511658/A02