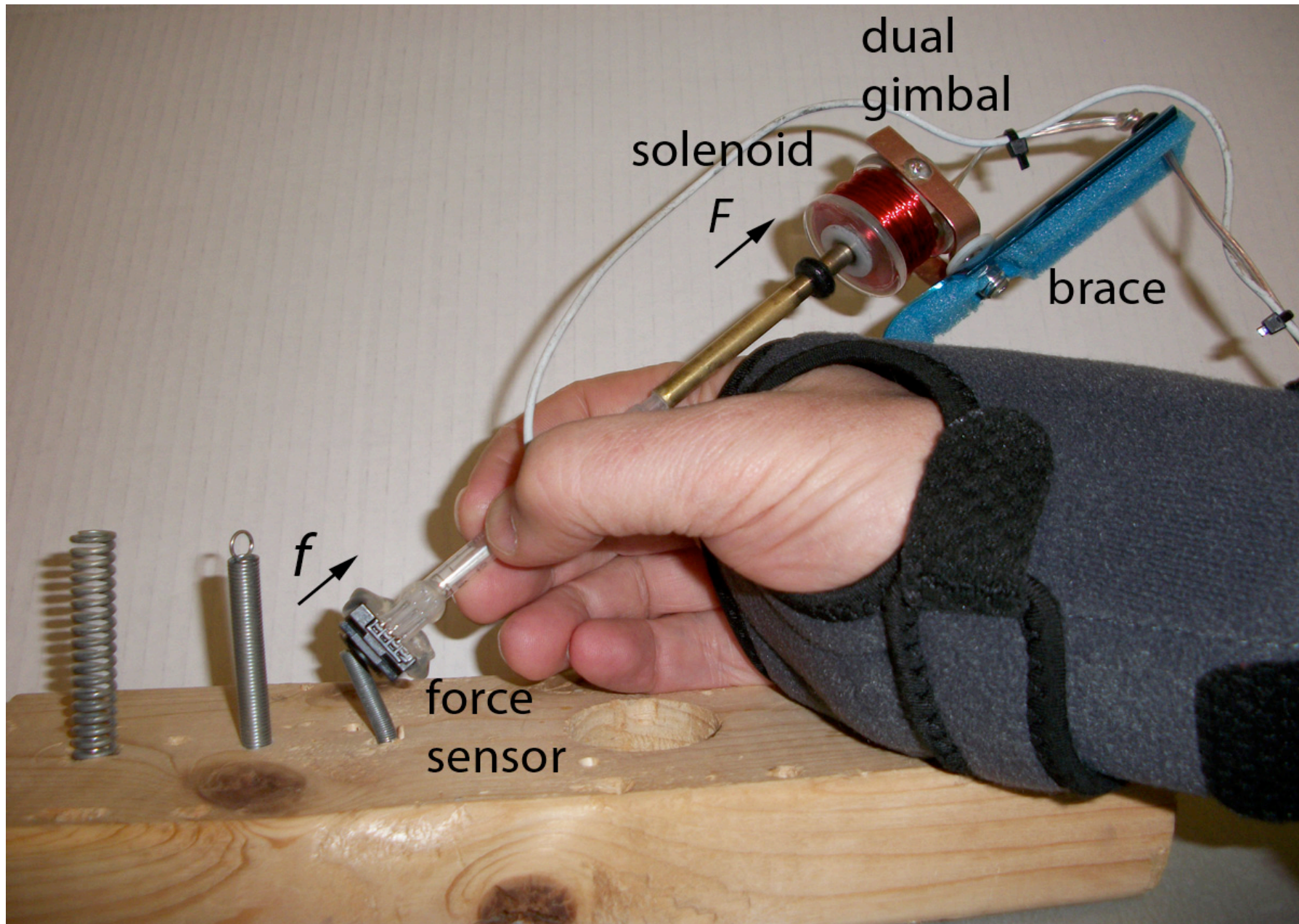
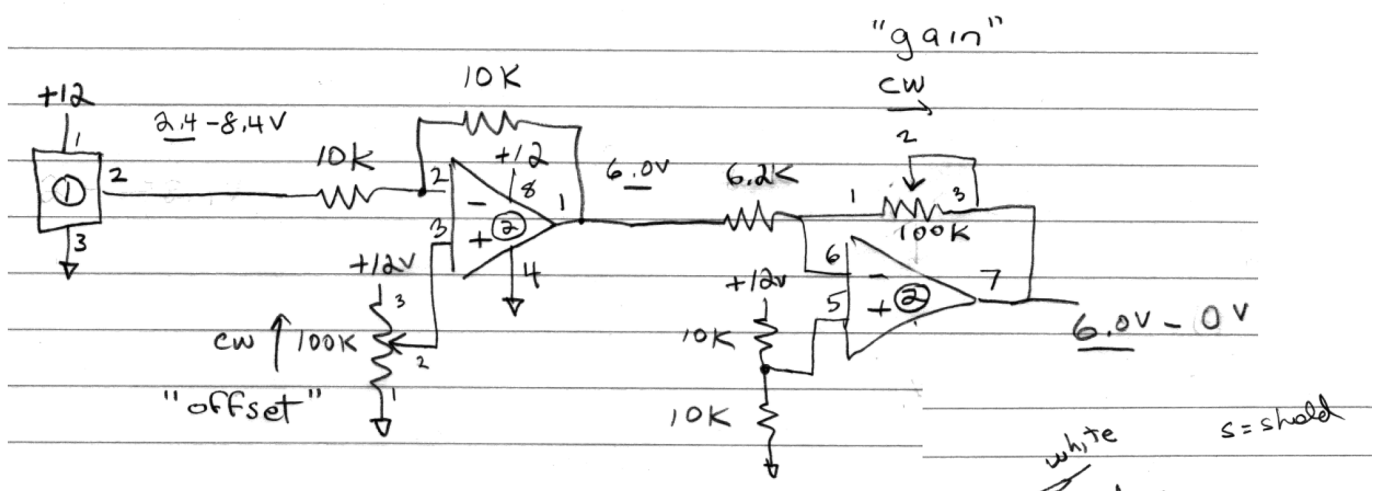


$$F = k f$$



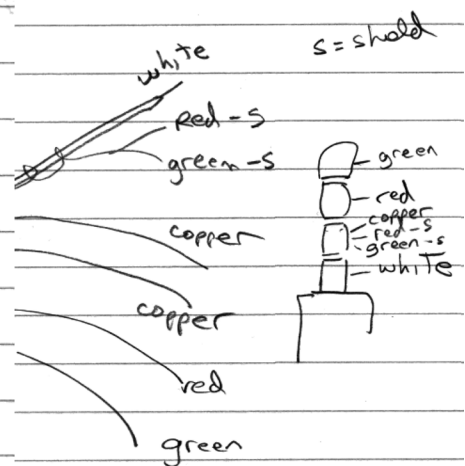


① Honeywell FSO1 force sensor



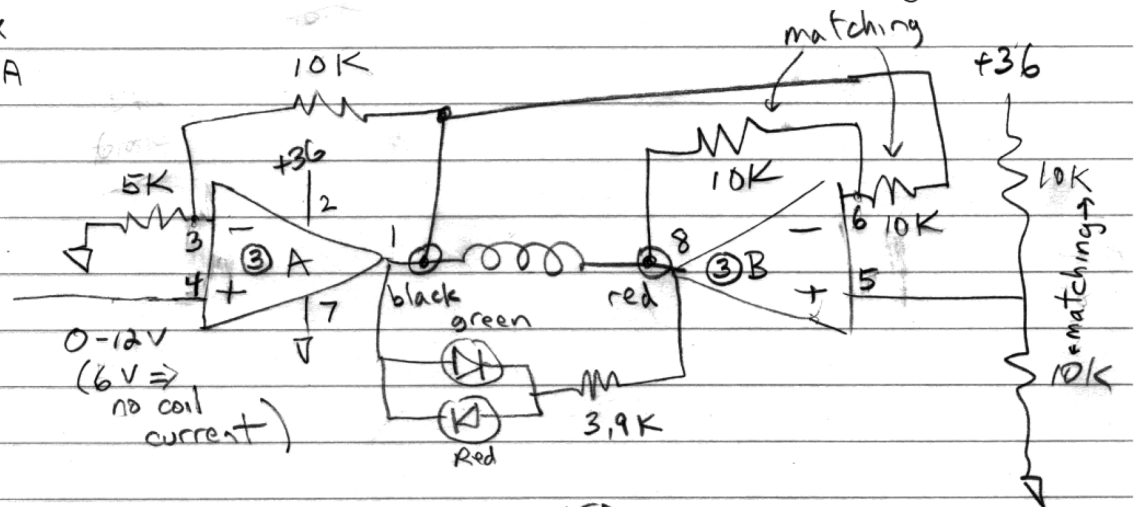
top view

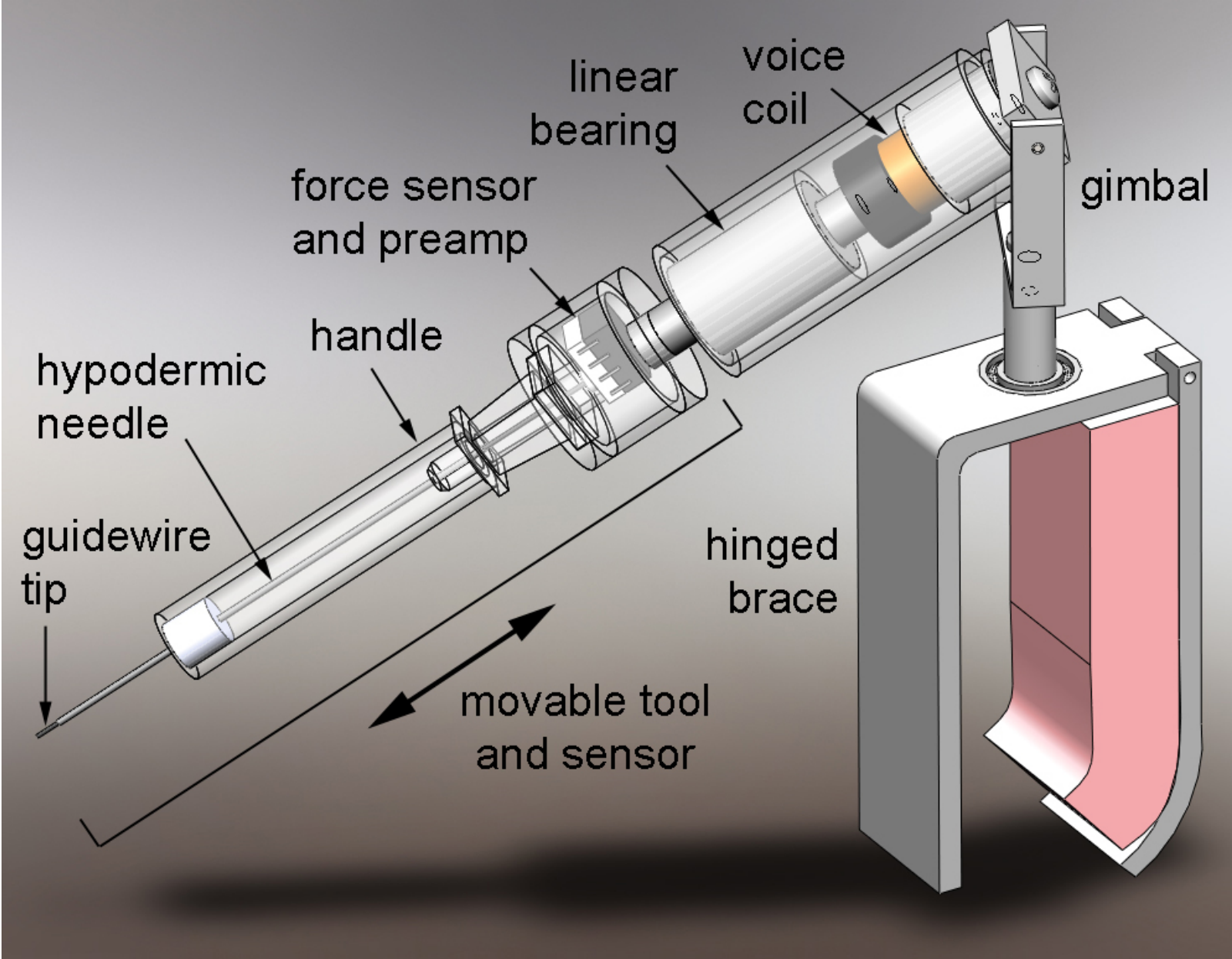
- 1 - Supply 12V
- 2 - out pot
- 3 - gnd
- 4 - NC

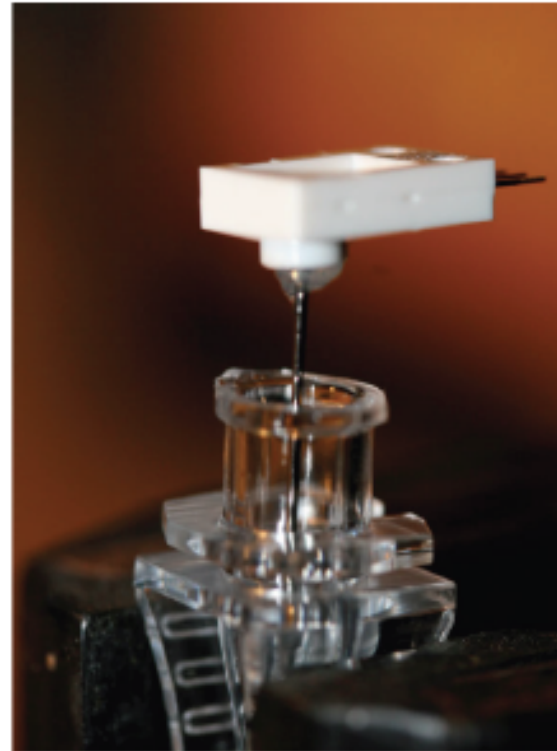
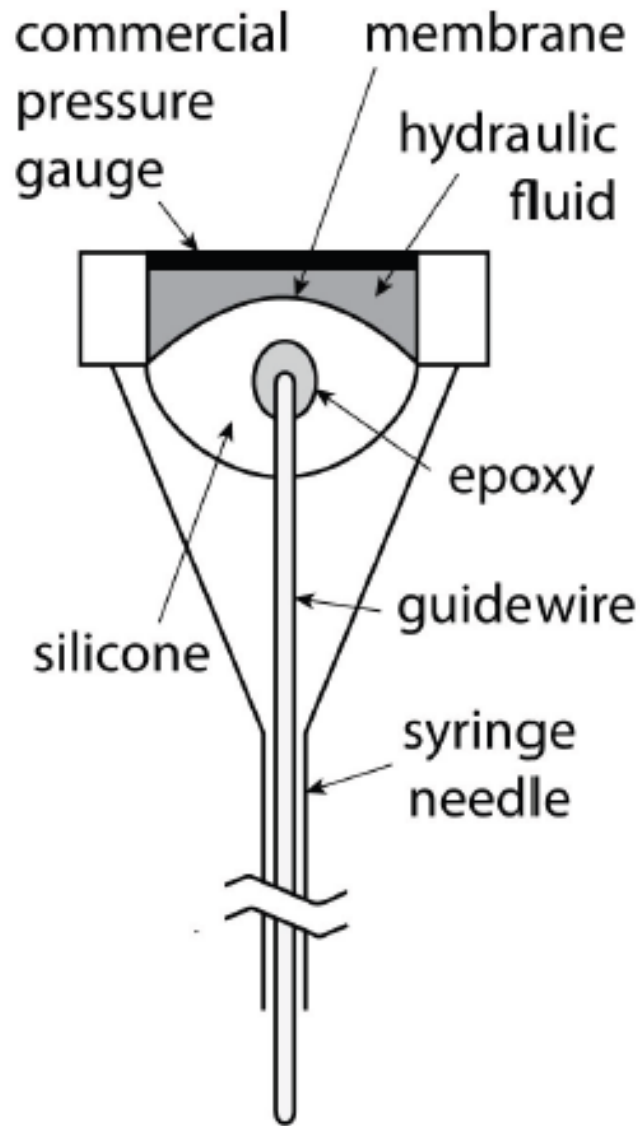


② LM1458

③ APEX PA74A

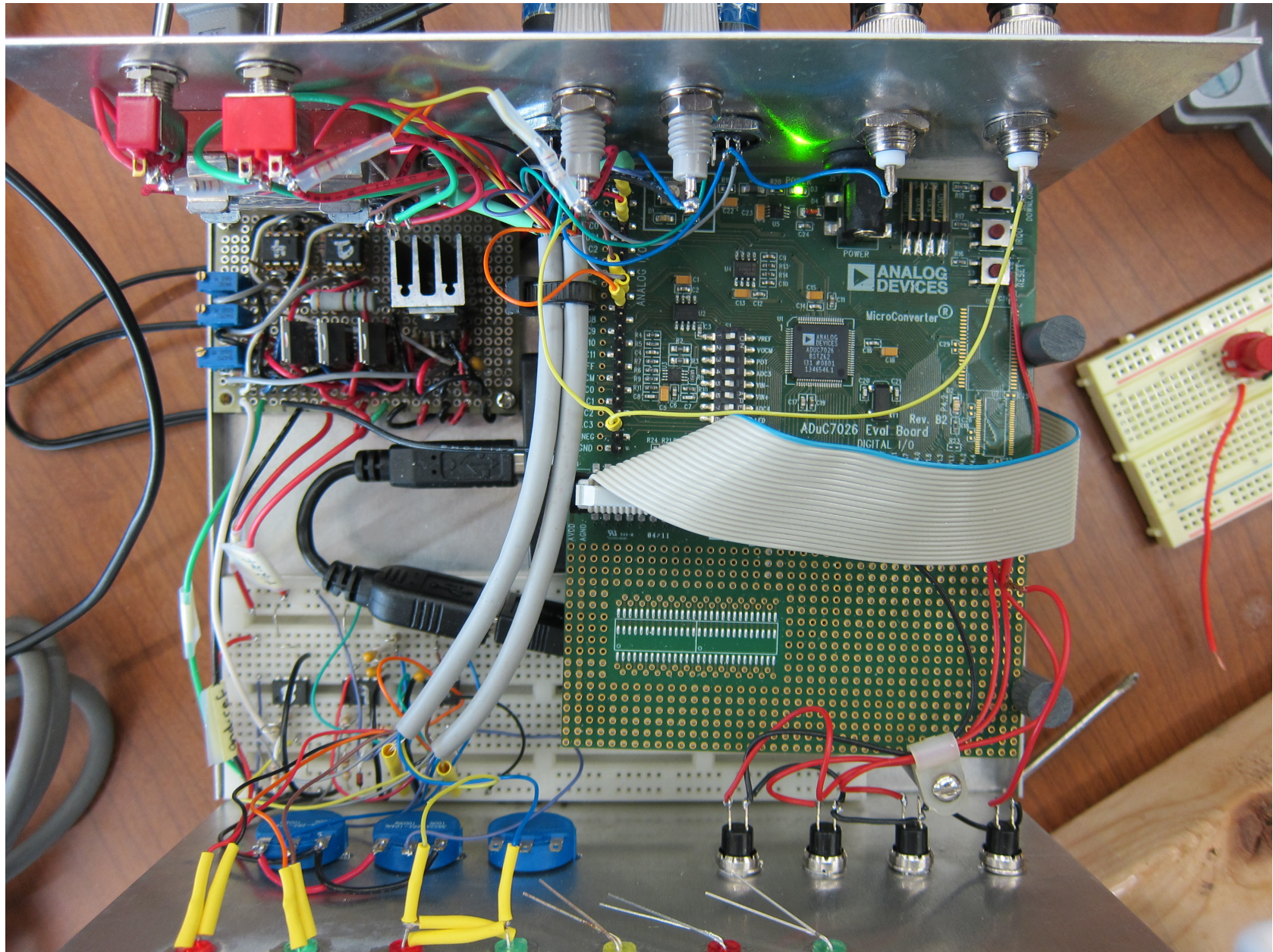




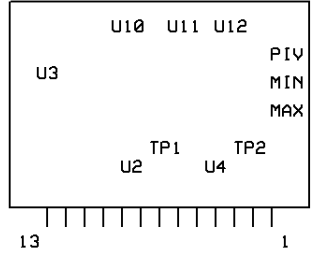
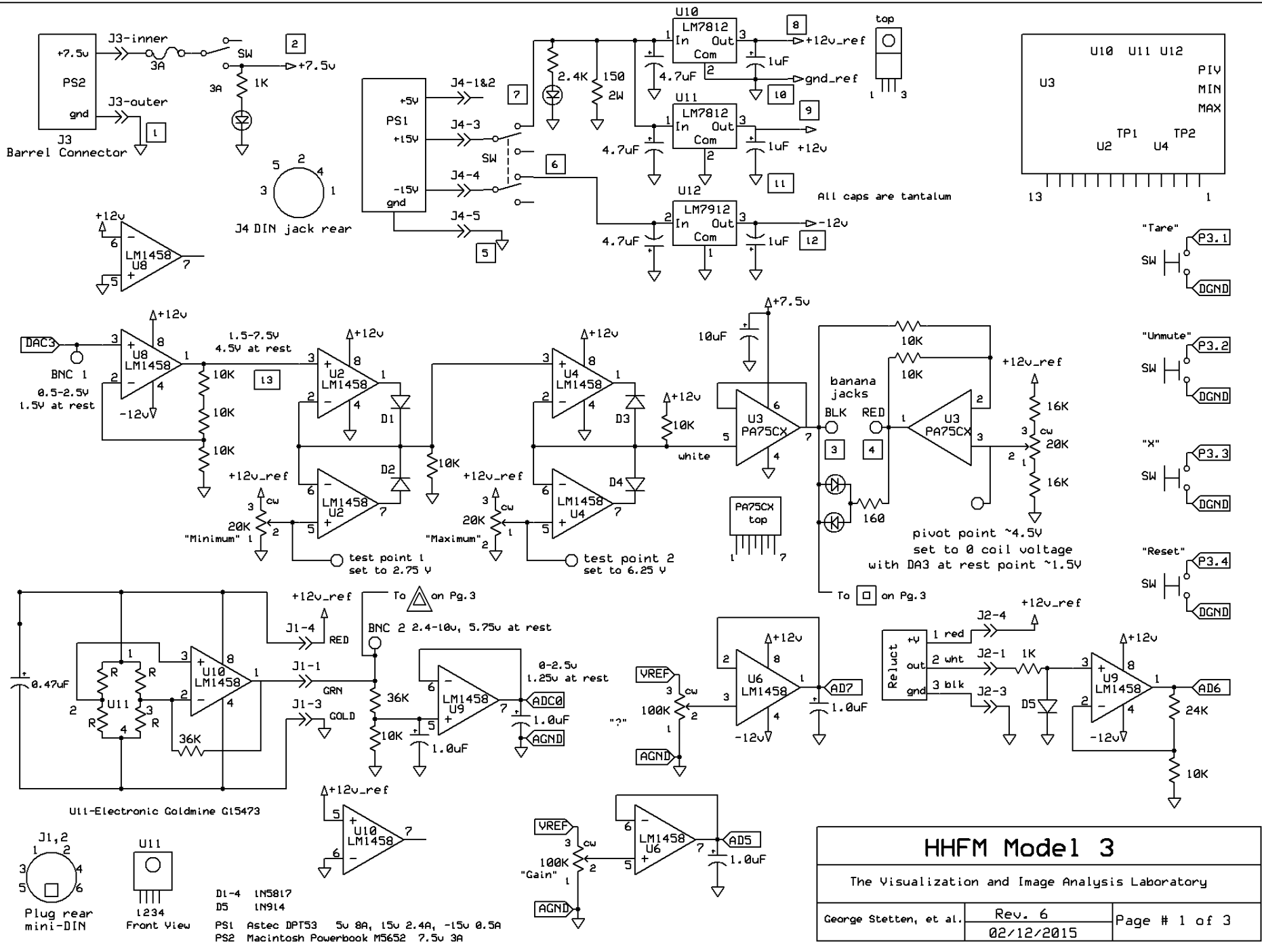




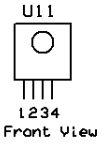
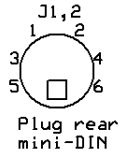
Model-3 Hand-Held Force Magnifier



Analog Devices evaluation board , for custom programmable microprocessor.



HHFM Mode 1 3		
The Visualization and Image Analysis Laboratory		
George Stetten, et al.	Rev. 6 02/12/2015	Page # 1 of 3



- D1-4 1N5817
- D5 1N914
- PS1 Astec DPT53 5v 8A, 15v 2.4A, -15v 0.5A
- PS2 Macintosh Powerbook M5652 7.5v 3A

