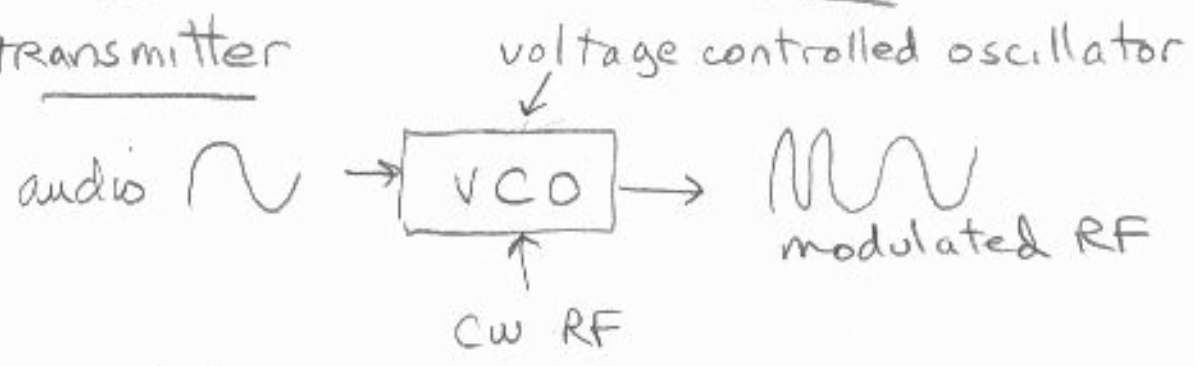


# FREQUENCY MODULATION

transmitter



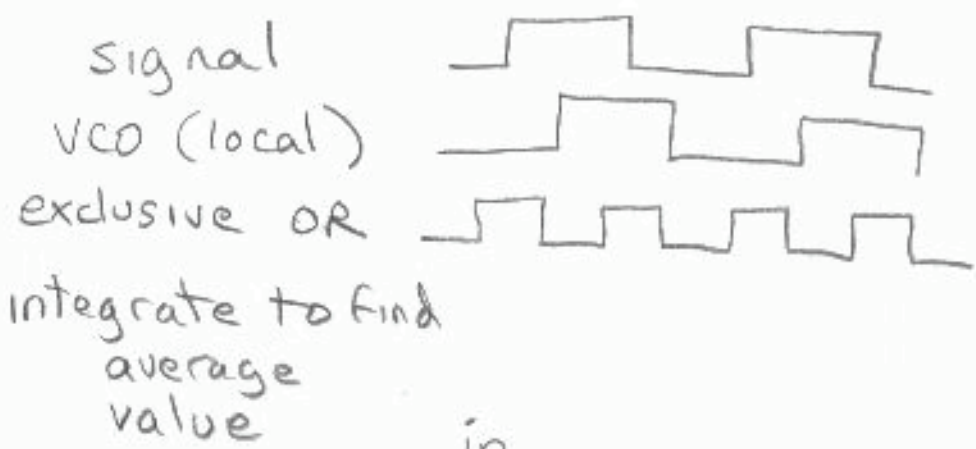
Better Fidelity.

receiver

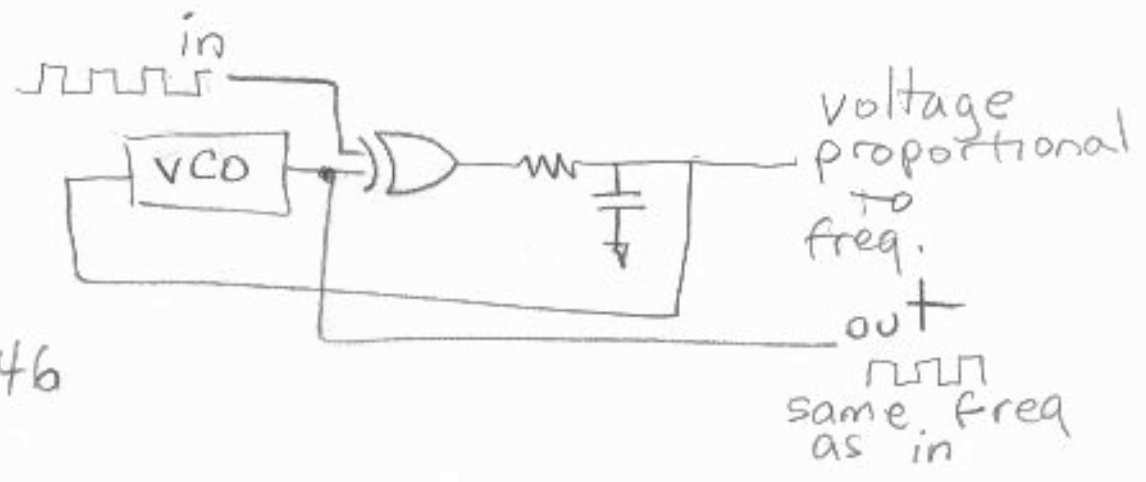
Frequency to voltage converter, how?



modern systems use phase lock loop



integrate to find average value



CD 4046